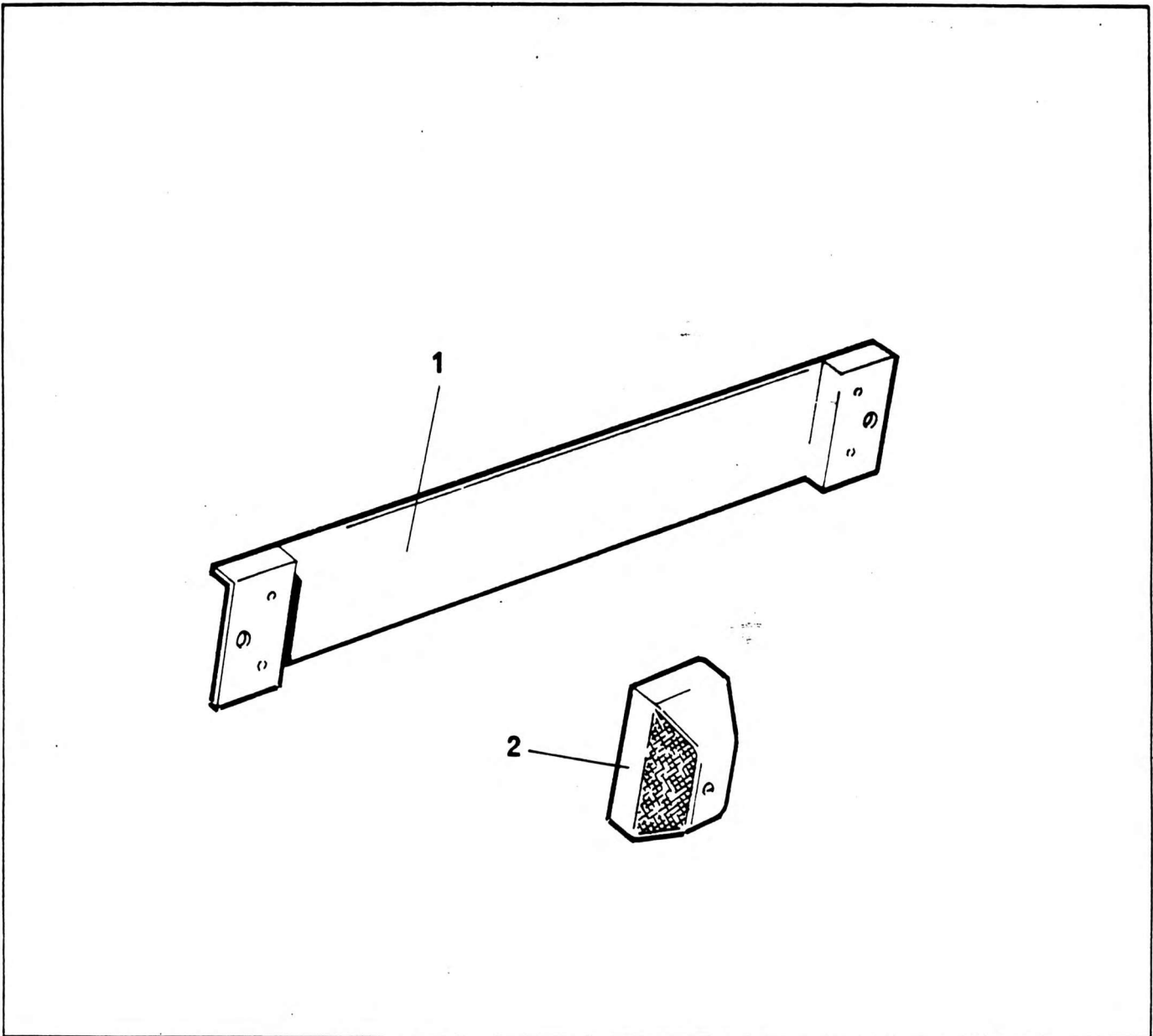


BRACKET ASSEMBLY - REGISTRATION ASSEMBLY



| NO. | PART NO. | QTY. | DESCRIPTION | NO. | PART NO. | QTY. | DESCRIPTION |
|-----|----------------|------|--------------------------------------|-----|----------|------|-------------|
| 1 | 6-705-991735 | 1 | Plate Registration Plate Mounting | | | | |
| 2 | + 7-581-990160 | 2 | Lamp Number Plate Illumination | | | | |

+ See further breakdown in this group